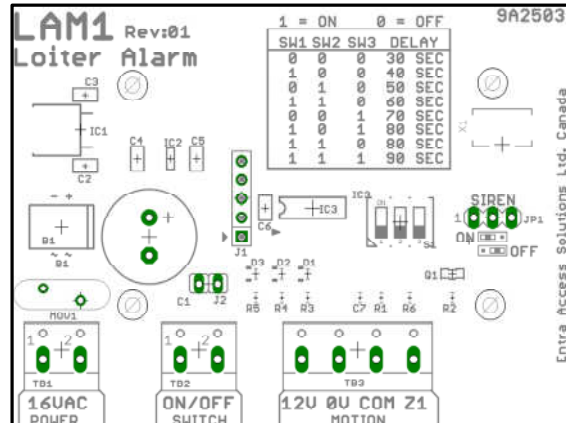




## Local Loiter Alarm System



The Lam1 is a Local Loiter Alarm System. Its primary purpose is to prevent people from Loitering in enclosed areas, such as the bottom or top of stairwells, alcoves, and other such areas.)

**It operates as follows:**

When someone enters the Protected space, and the motion sensor activates, a timer is started ( programmable ), if the person clears the area before the timer elapses, the LAM1 will reset to its normal state.

However if someone stays in the space and the timer elapses, the siren will be turned on for a minimum of 30 seconds, if after 30 seconds there is still motion detected in the space, the siren will stay on until there is no more motion at which point the siren will turn off and the system returns to normal.

By using the LAM1 you do not lose the functionality of stairwell or other enclosed public space.

**Note:**

The Delay should be set to the shortest period possible. 20 Second ( default) works very well on Stairwells.



# LAM1

---

The LAM1 module comes installed in a 6"x4.8"x1.5" metal enclosure with a 105db Siren.

The LAM1 controller has connections for a remote ON/OFF switch, and a Motion Sensor. The controller is powered by a 16VAC 40VA Transformer.

The controller has a three (3) position Dipswitch to set the Shunt Delay there are 8 settings available. There is a Jumper JP1, that allows the installer to silence the Siren while setting up the system.

There are Three Leds:

**Green Led:** This led flashes constantly at a 1 Second rate at all times.

**Blue Led:** This led turns on solid when motion is detected, it will turn off after the shunt delay times out.

If Jumper JP1 is set to Siren Off it will blink at a 1 second rate;

**Red Led:** This led turns on solid when the Siren is activated.

If Jumper JP1 is set to Siren Off it will blink at a 1 second rate;

**Operation:**

When the unit is first powered on, the Red & Blue Leds will alternately blink for 30 seconds. This allows the motion sensor to initialize properly, without causing alarms.

**Normal Mode:** Green Led blinks at 1 Second Rate, Blue led Is Off, Red led is Off.

**Motion Sensor Activated:** Blue Led turns On, and shunt Delay timer starts, if no motion after delay Timeout system returns to normal.

**Motion Detected after Delay Times out:** Blue Led turns Off, Red Led Turns On, and Siren activated. If the motion is still activated after 30 seconds, the siren will continue to sound until the motion clears.

A Complete LAM1 Loiter Alarm installation consists of the following:

1 x LAM1 Loiter Alarm ( includes Siren).

1 x Motion Sensor. Not included.

1 x 16VAC 40VA transformer. Not included.

1 x On/Off Switch. Not included.