

CV800-EP

Serial to Wiegand Converter for Identiv Enterphone Telephone Entry Panels



The CV800–EP Serial to Wiegand Converters is designed to interface to the Identiv™ Enterphone, Q, 19, 21, Kiosk, & Micro7 Telephone Entry Systems

Description:

When a resident grants access to a Visitor, the CV800 captures the data transmitted from Telephone Entry Panel Serial Ports . This data is then Converted and Output as Wiegand Data. See below for Wiegand Formats available.

Wiegand Card Formats presently available are as follows:

Standard 26Bit (default) *Keyscan 36Bit*

RBH 50Bit *ICT 34Bit*

HID Corporate1000 35Bit

Others available by request.

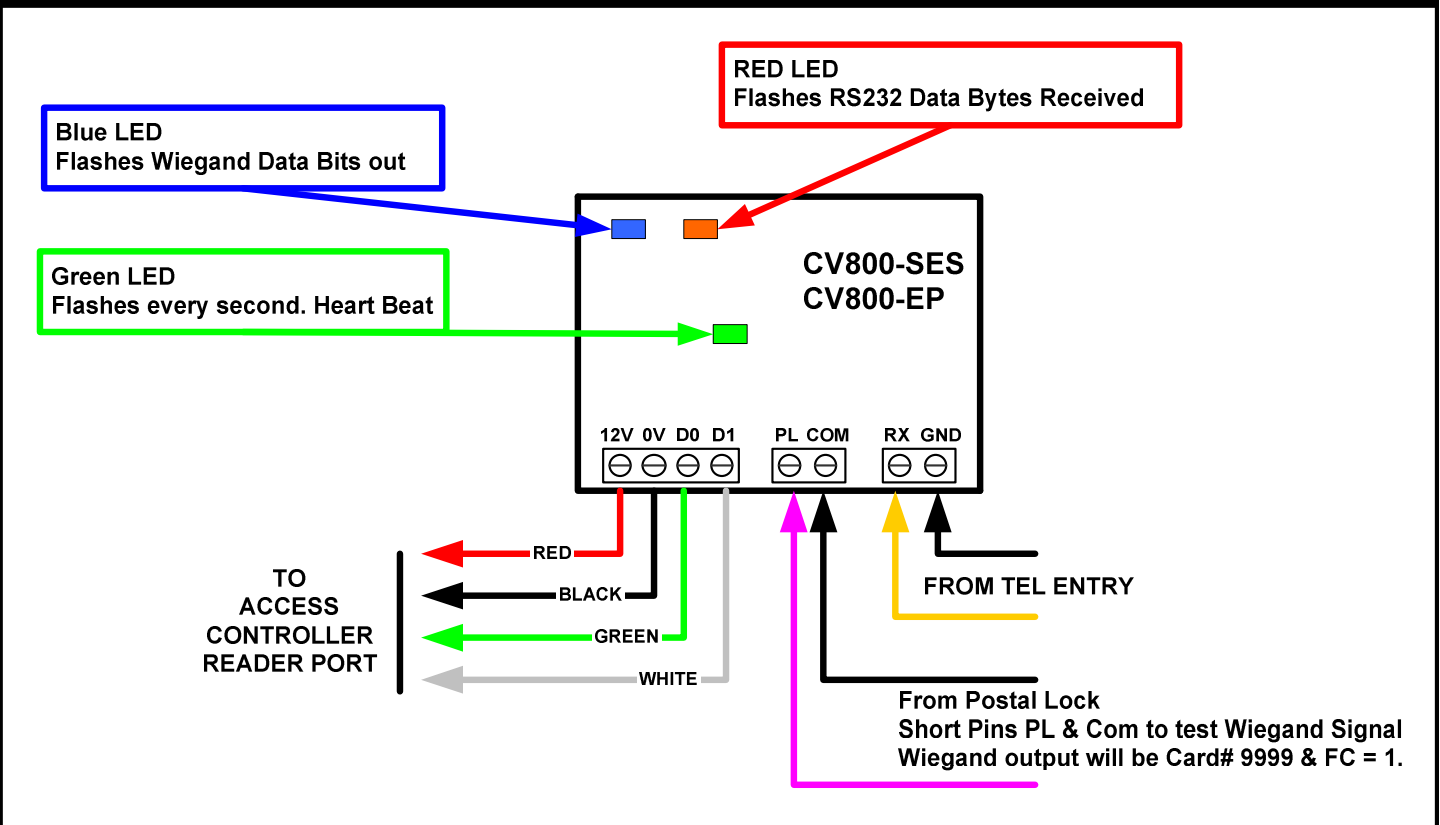
**System Programming Requirements For
Identiv EnterPhone models Q, 19, 21, Micro7**

The Enterphone Entry Panels require the following to be programmed:

- 1. The Baud Rate must be set to 9600.**
- 2. The Communications Parameters must be set to: 8Bits, No Parity, 1 Stop Bit (8,N,1).**

Installation:

- 1. Connect the RX Term on the Entry Panel to the RX Terminal on the CV800-EP**
- 2. Connect the GND Term on the Entry Panel to the GND Terminal on the CV800-EP**
- 3. Connect the 12V of the CV800-EP to Access Control Reader Port 12V.**
- 4. Connect the D0 of the CV800-EP to Access Control Reader Port D0.**
- 5. Connect the D1 of the CV800-EP to Access Control Reader Port D1.**





Wiegand Card Formats Available

Standard 26Bit	Keyscan 36Bit	RBH 50Bit	ICT 34Bit	HID Corp1000 35Bit	Other Formats Available Call
---------------------------	--------------------------	----------------------	----------------------	-------------------------------	---

Default Facility/Family Code = One

CV800-EP SPECIFICATIONS

Power Supply	9 to 14VDC (Linear Supply Recommended)
Current	8mA Average, 10mA Peak
Cable Requirements	Use Access Control & Mircom™ Recommendations
OutPut Format	Wiegand 26Bit,36Bit, 50Bit, 34Bit, others.
Facility/Family Code	One(1)
Communication	RS232
Warranty	5 Years against defects in Materials & Workmanship