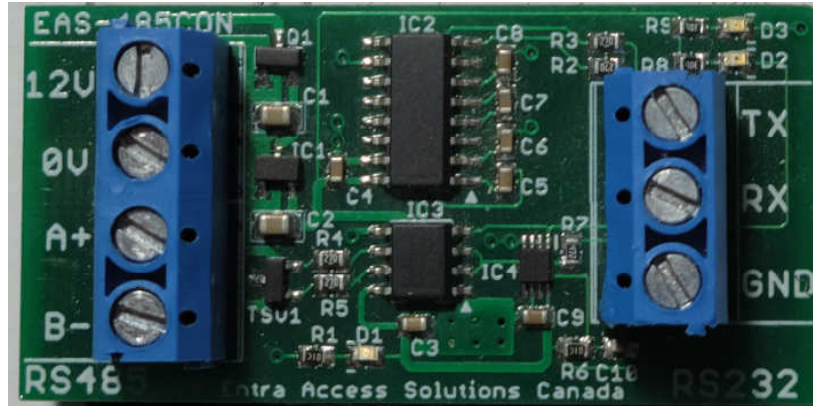
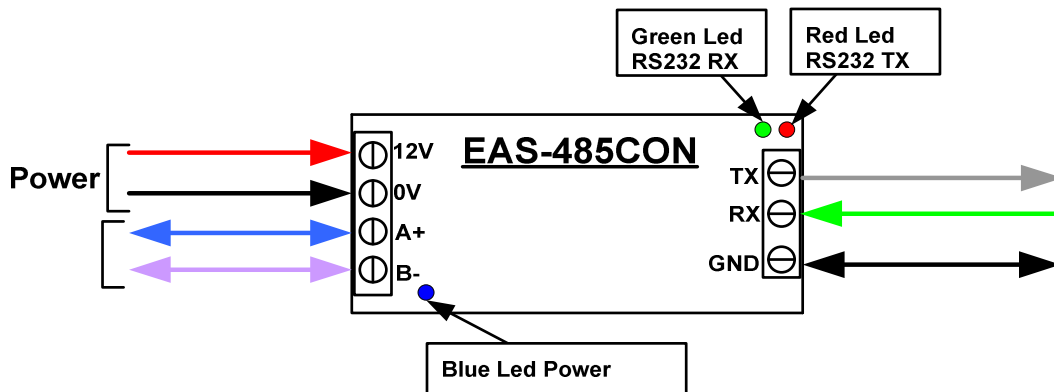


EAS-485CON
RS232 TO RS485 CONVERTER



The **EAS-485CON** is an RS232 to RS485 Converter, It has Auto Baud detection between 9600 & 115200 Baud. It is a Plug and Play **device**, There are no User Settings



SES Intercom Connections

SES TX -> RX
SES RX -> TX
SES GND -> GND

Identive Intercom Connections

IDENTIVE TX -> TX
IDENTIVE RX -> RX
IDENTIVE GND -> GND

USB to RS232 Cable

USB TX -> RX
USB RX -> TX
USB GND -> GND