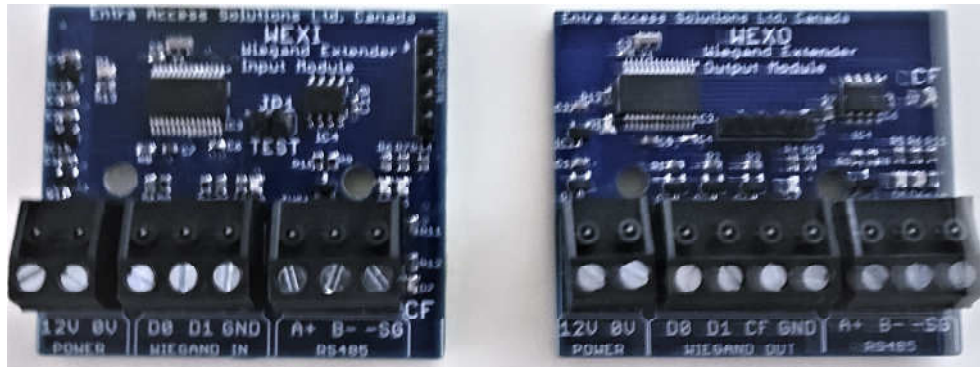


WEX-KIT Universal Wiegand Extender



The WEX-KIT is a universal Wiegand extender (max64 bits). It consists of two(2) modules, the **WEXi** (wiegand input module) and the **WEXo** (wiegand output module). These Modules are designed to extend the standard Wiegand cable distance maximum up to 4000 ft(1200m) using proprietary RS485 Communication between them.

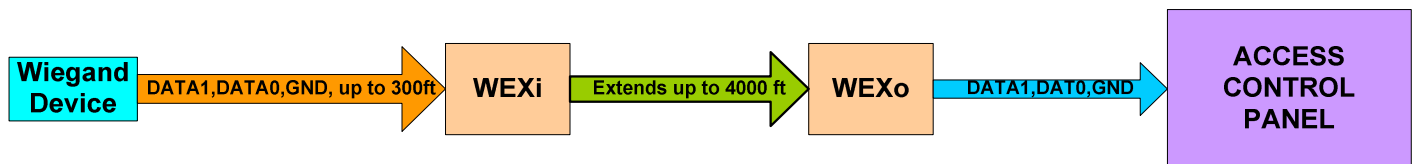
The **WEXi** module will capture any wiegand signal up to 64Bits, it will transmit this data(via RS485) to the **WEXo** module, which in turn will output the wiegand signal to the Access control system.

WEXi

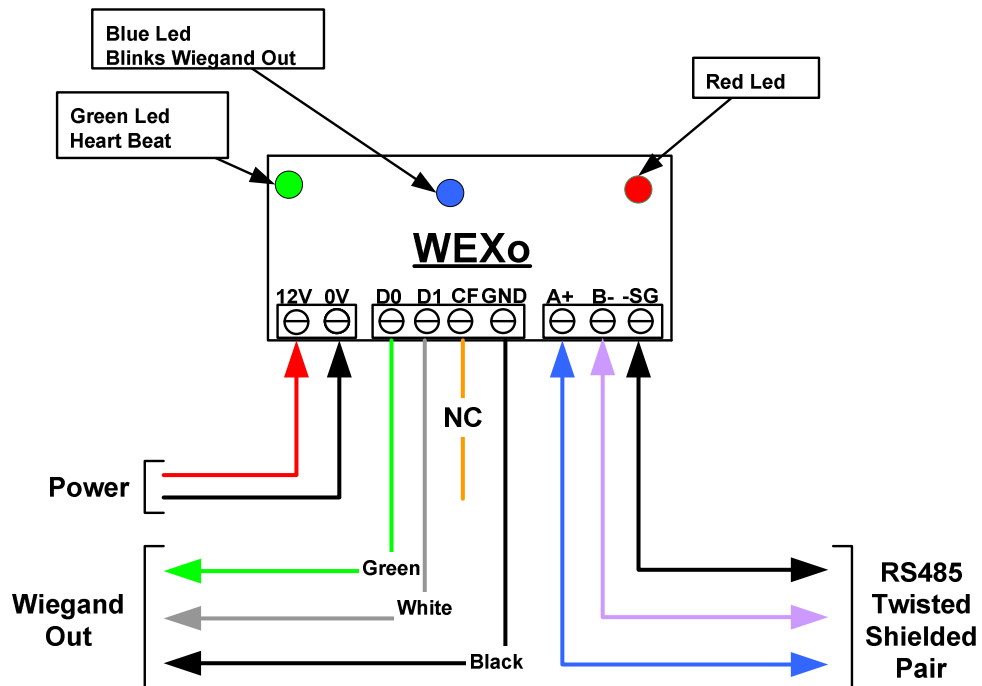
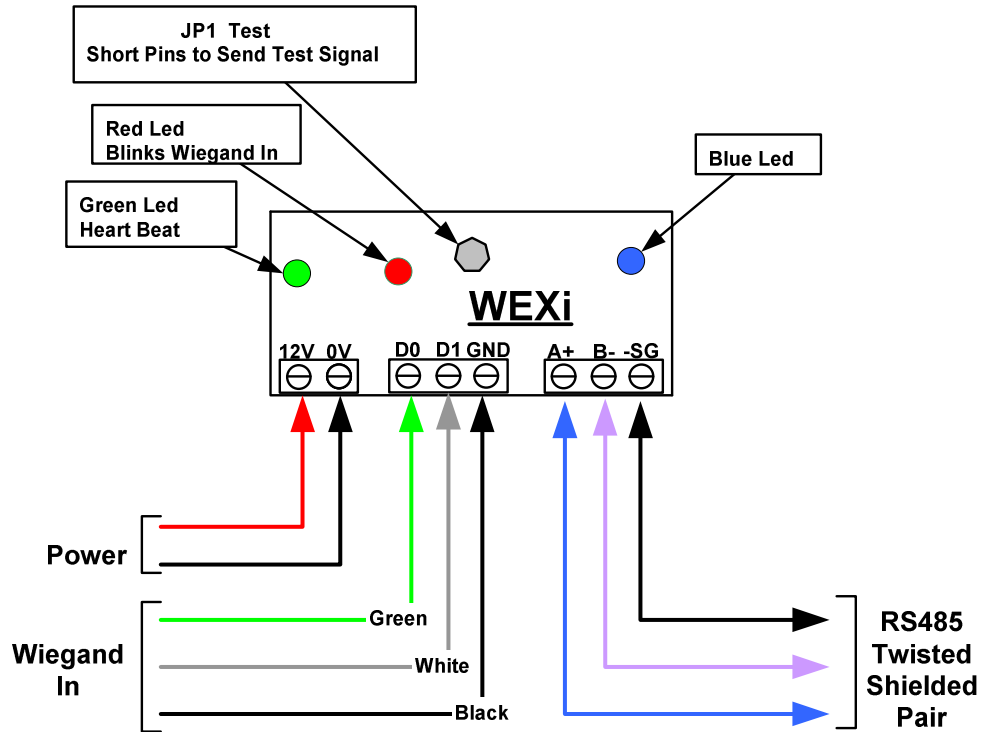
The **WEXi** module has three(3) connections, Power 12VDC, Wiegand Signal In, and RS485 Communications. There are no user settings. It also has 2 test pins (JP1) TEST, If test pins are shorted the **WEXi** module will transmit card data (fac = 1, card = 9999) to the **WEXo** module.

WEXo

The **WEXo** module also has three(3) connections, Power 12VDC, Wiegand Signal out, and RS485 Communications. It receives the RS485 signal from the **WEXi** module, and sends out the Wiegand data it received.



Typical Connections





WEXi & WEXo SPECIFICATIONS

Power Supply	9 to 14VDC (Linear Supply Recommended)
Current	8mA Average, 10mA Peak
Wiegand Cable	20-22 AWG Stranded Shielded (<i>not twisted</i>) 300ft (90 meters)
RS485 Cable	22AWG Twisted Pair Shielded (4000ft/1200m)
Wiegand Formats	Any Format Up to 64 Bits
Dimensions	44.5mm(1.75") W x 50.8mm (2") L x 20mm(.78") H
Warranty	5 Years against defects in Materials & Workmanship