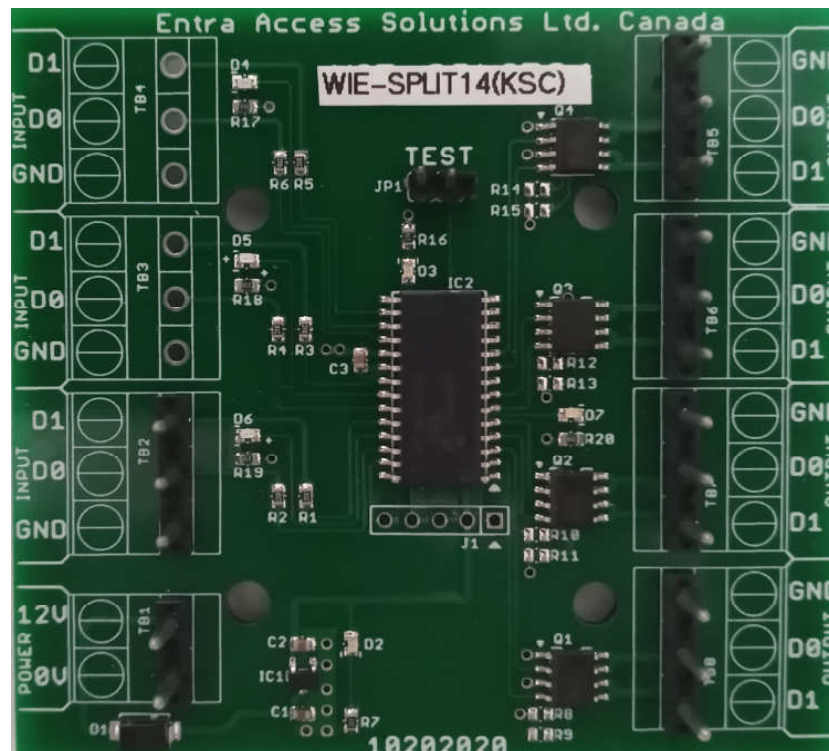


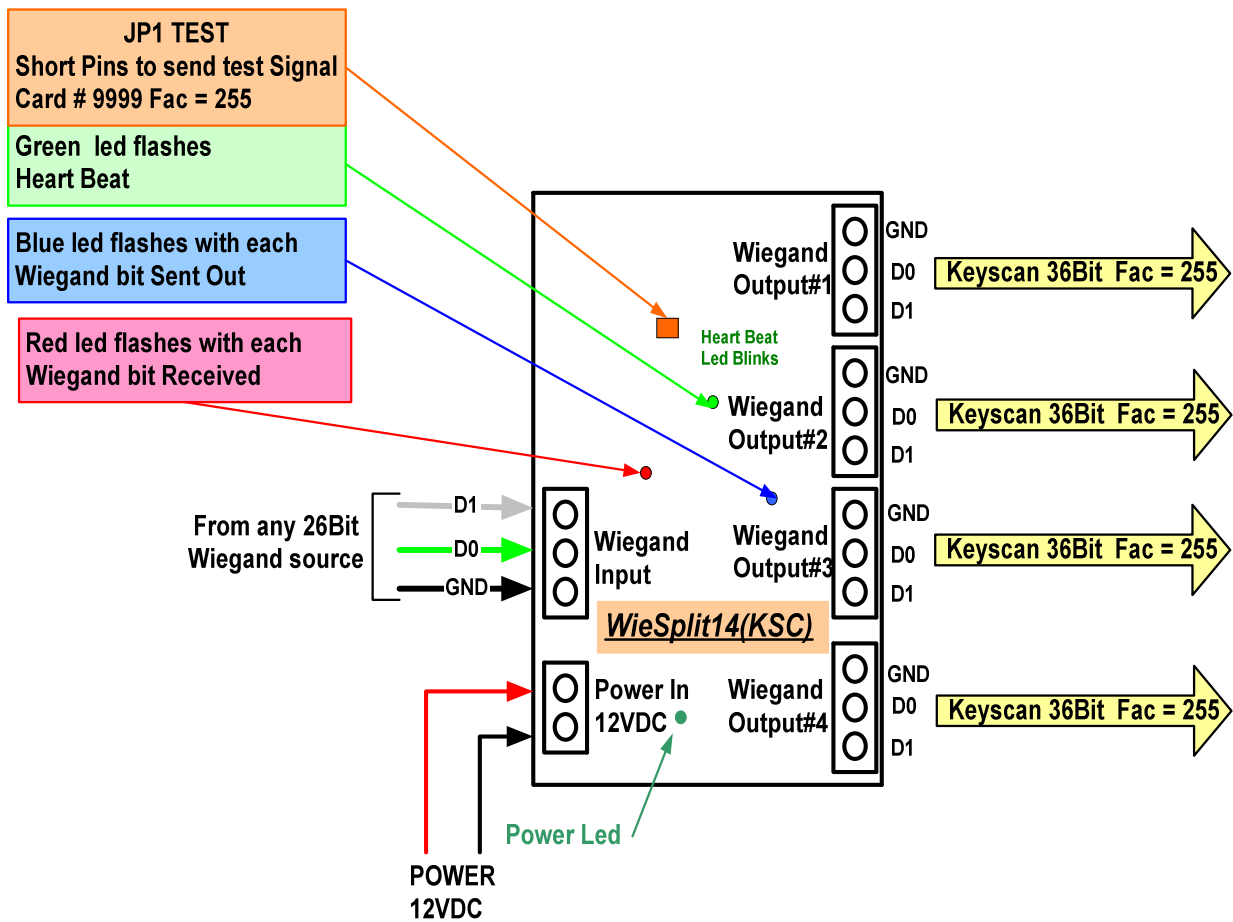
WIE-SPLIT14(KSC) 26Bit Wiegand to 36Bit Keyscan Converter

The WIE-SPLIT14(KSC) is a Wiegand Splitter that Converts a Standard 26Bit Wiegand card format to Keyscan 36Bit Card Format with a Family/ Facility code 255. The WIE-SPLIT14(KSC) has 4 Wiegand Outputs.

The WIE-SPLIT14(KSC) is connected to a Wiegand Device outputting 26Bit Wiegand Card data. The WIE-SPLIT14(KSC) will take this data, discard the Facility code and convert the card Number to a Keyscan 36Bit card format with a Facility Code of 255.



WIE-SPLIT14(KSC) Typical Connections



WIE-SPLIT14(KSC) SPECIFICATIONS

Power Supply	9 to 14VDC (Linear Supply Recommended)
Current	10mA Average, 50mA Peak
Cable Requirements	20-22 AWG Stranded Shielded
Wiegand OutPut Format	KEYSCAN 36BITS FAC = 255
Wiegand input formats	26BIT Standard Wiegand any FAC 0 to 255
Dimensions	76.20mm(3.0") W x 69.85mm (2.75") L x 20mm(.78") H
Warranty	5 Years against defects in Materials & Workmanship