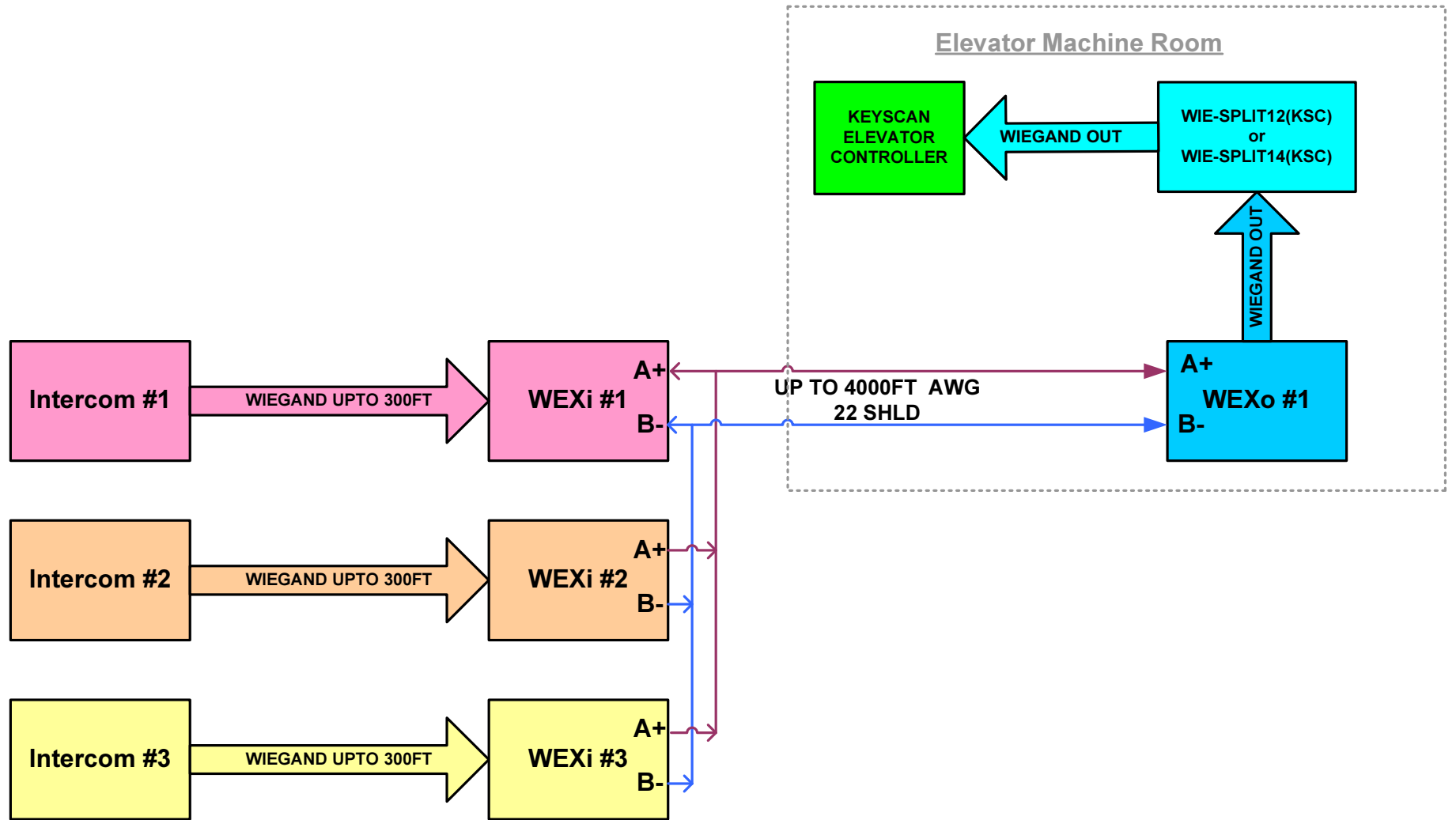


Elevator Machine Room



Entra Access Solutions Ltd.
 New Westminster, BC
 Ph: 604 - 312-9910
 email: info@entraaccess.com

WEX-KIT with 3x intercoms

WEX-KIT

SIZE	FSCM NO	DWG NO	REV
SCALE	nts	All Dims mm	SHEET 1 OF 1